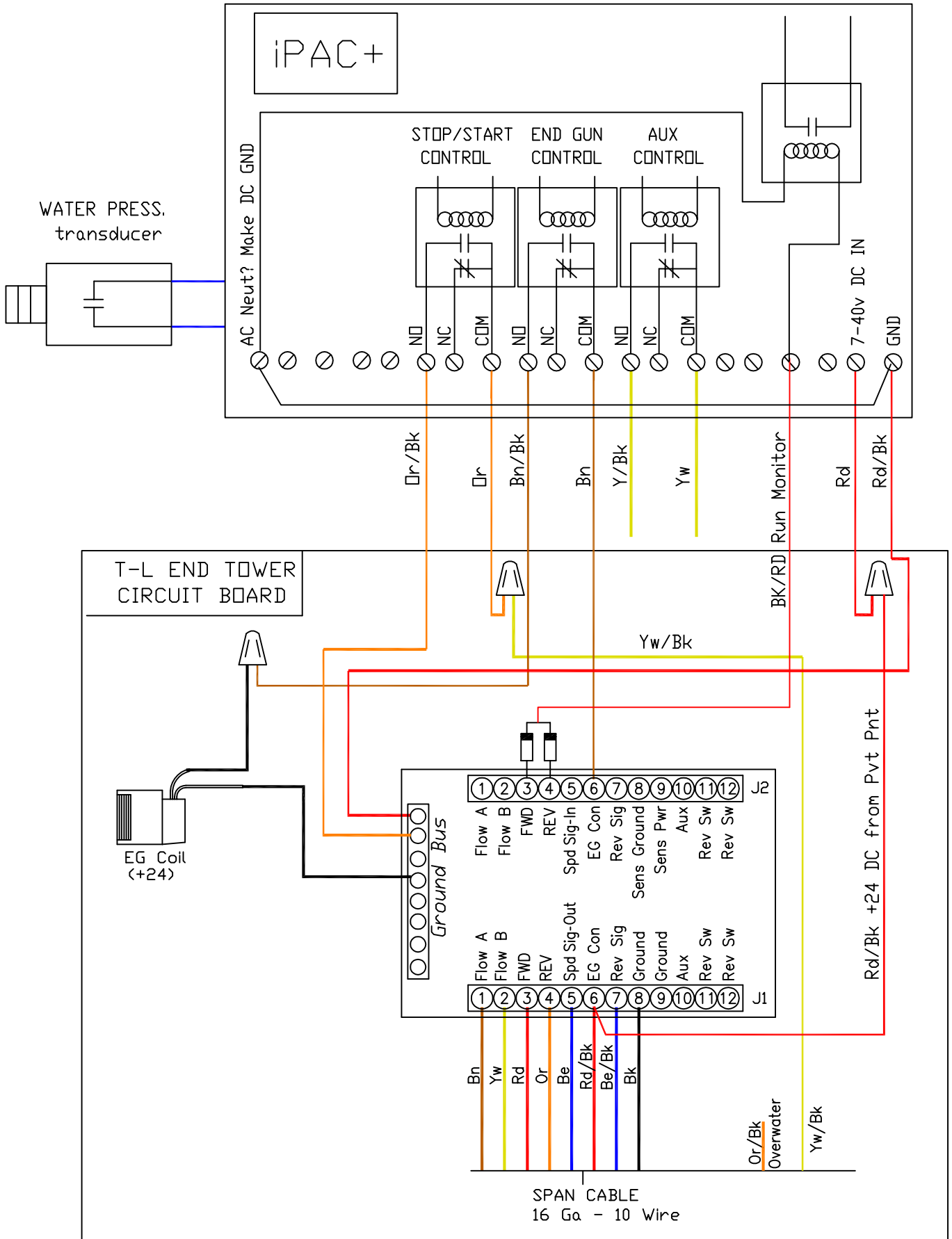


Installing TL+ with start:

INSTALLATION INSTRUCTIONS MAY DIFFER FOR YOUR SPECIFIC PIVOT!
PLEASE CONTACT T-L IRRIGATION FOR THE INSTALLATION KIT AND ANY
UPDATED INSTRUCTIONS / TECHNICAL QUESTIONS.

1. Install TL+ with start unit out at the end tower using the wiring shown on page 1
Be sure to use a new set of diodes on terminal 3 and 4 on the end tower circuit
board – do not use the existing pair of diodes if your system has them. A new set
of diodes can be purchased from T-L.
2. At the main electrical panel, one relay and a few wires must be changed. See the
schematic on page 2. The new parts are available from T-L.
3. At the Precision Point Control box, a toggle switch, a relay, and some wiring must
be changed. See schematic on page 3. The new parts are available from T-L.

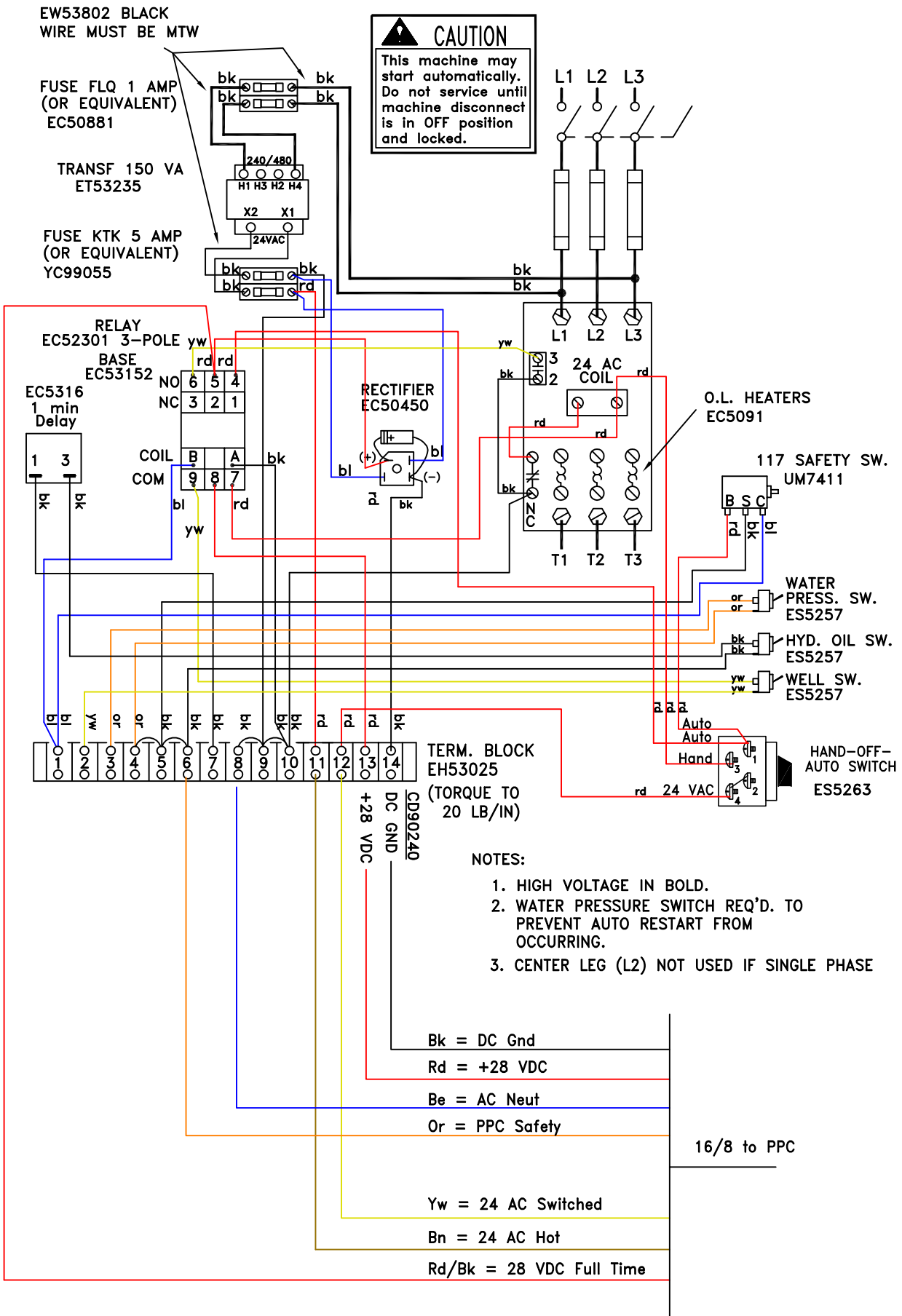
POWERED FULL TIME - ELECTRIC



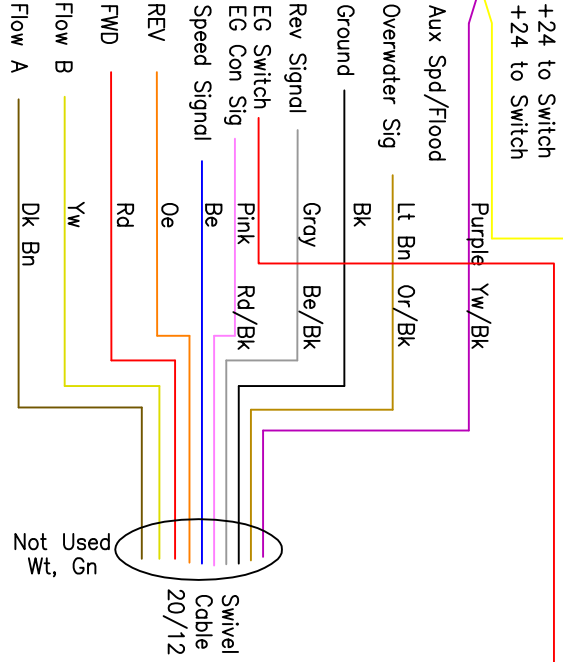
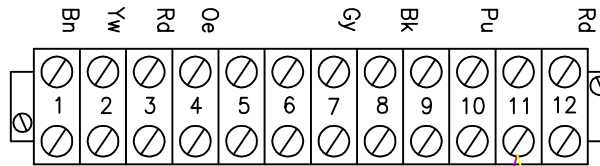
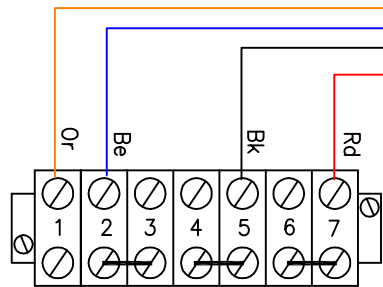
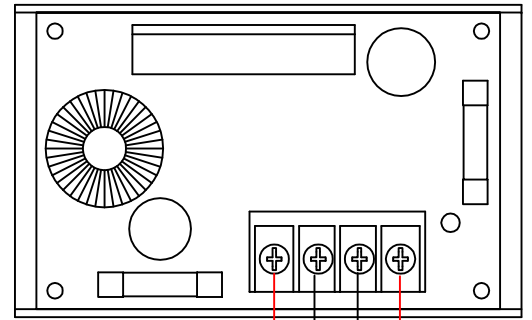
USING 3 POLE RELAY - 3/26/08

WIRING DIAGRAM T-L ELECTRIC DRIVEN HYDRAULIC PUMP

CD5178 11/15/05



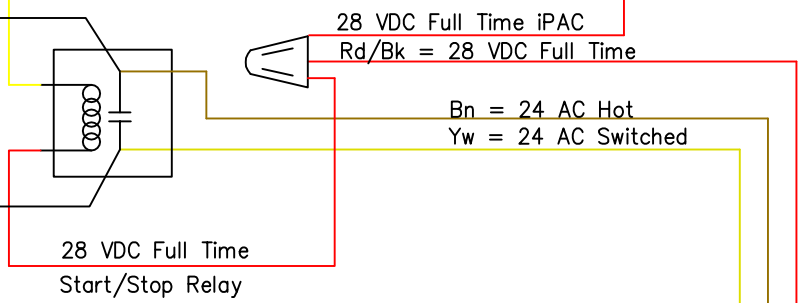
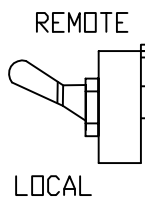
WIRING DIAGRAM T-L PRECISION POINT CONTROL WITH iPAC+ START END GUN CONTROL BY iPAC



Not Used
Wt, Gn

Swivel
Cable
20/12

EH52124
24 VDC Relay
COIL = 85 & 86
COM = 30
NC = 87a



+ 30 from electric panel

DC ground from electric panel

Safety Out

AC Neutral

+24 to Switch

+24 to Switch

16/8 from AB Panel